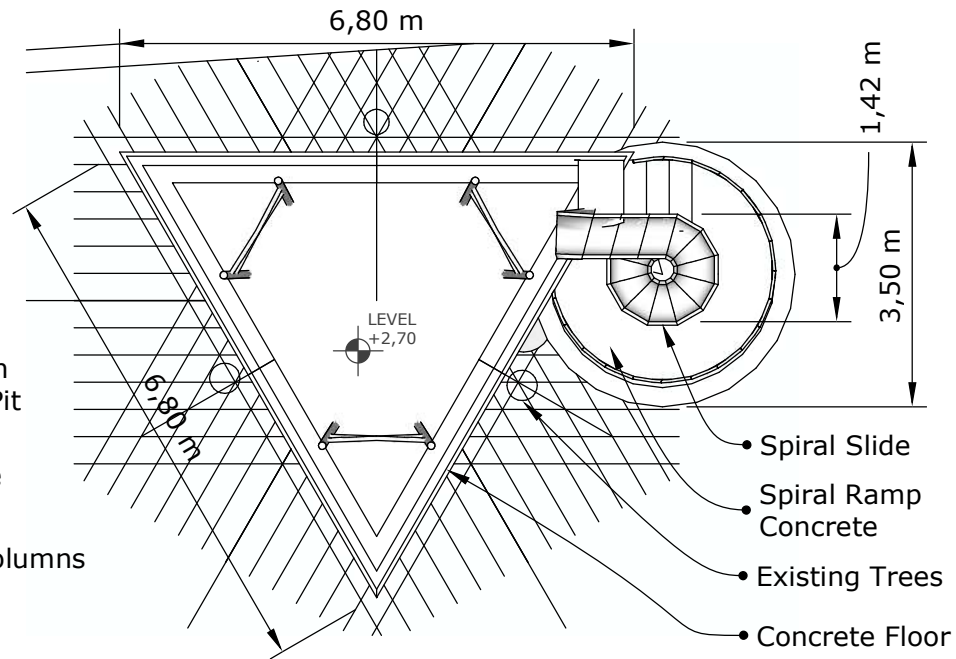


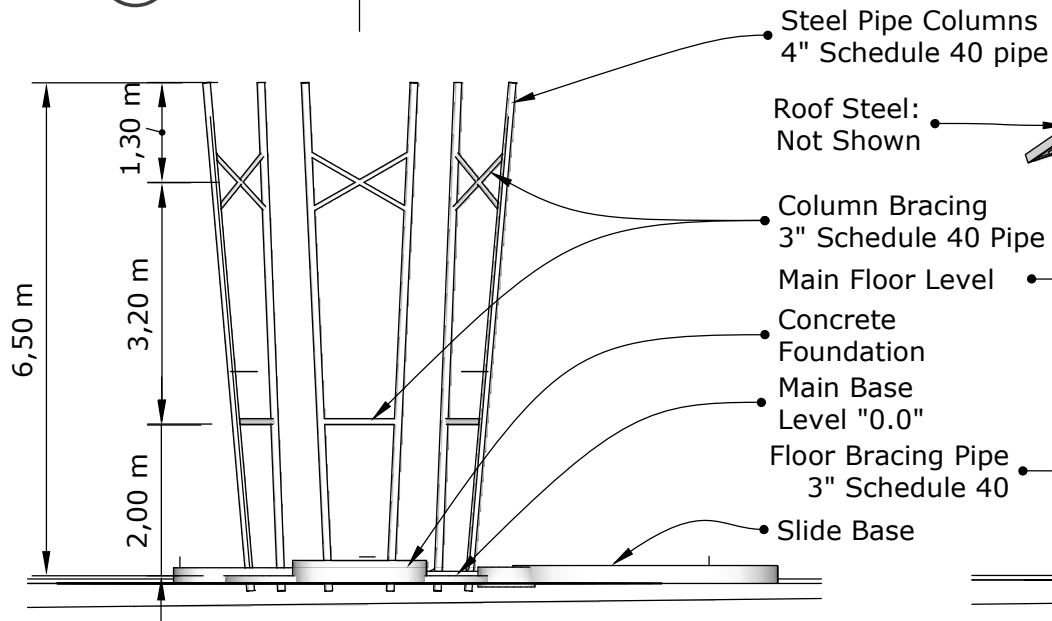
Ground Level Plan ~ Level G

**A**  
01 scale: 1cm=100cm PLAN



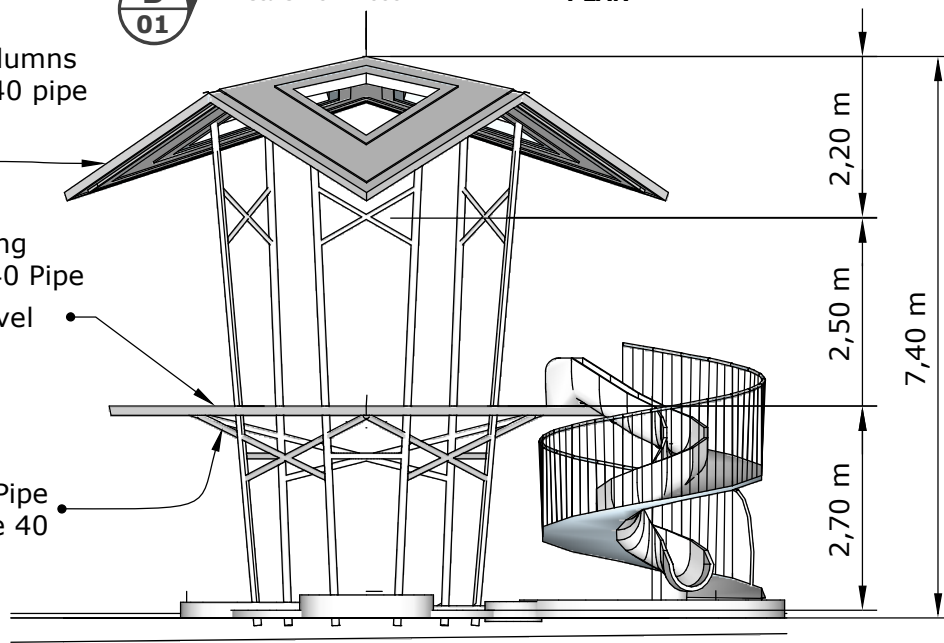
Main Floor Plan ~ Level 1

**B**  
01 scale: 1cm=100cm PLAN



Steel Erection System

**C**  
01 scale: 1cm=100cm ELEVATION



Ground Level ~ PLAN

**D**  
01 scale: 1cm=100cm ELEVATION

**NOTE:** See YouTube Video at John Ian Rutherford's Channel  
"TREE HOUSE Design ~ 17 AUG 2020"